

## Measuring Parameters

Item	Measuring range	Resolution	CV %
Potassium ion(K <sup>+</sup> )	0.50—15.00mmol/L	0.01mmol/L	≤1.0%
Sodium ion(Na <sup>+</sup> )	20.0—200.0mmol/L	0.1mmol/L	≤1.0%
Chloride ion(Cl <sup>-</sup> )	20.0—200.0mmol/L	0.1mmol/L	≤1.0%
Calcium(Ca <sup>2+</sup> )	0.10-5.00mmol/L	0.01mmol/L	≤1.5%
Lithium(Li <sup>+</sup> )	0-3.00mmol/L	0.01mmol/L	≤1.5%
pH	6.00—9.00	0.01	≤1.0%
TCO <sub>2</sub>	6.0—50.0mmol/L	0.1mmol/L	≤3.0%

## Specification

Dimension	337X192X402mm(Mainframe), 347X277X451mm(Small sampler),570X425X380mm(Big sampler)
Weight	17kg(Mainframe), 6.5kg(Small sampler),10kg(Big sampler)
Power supply	AC100~240V,50/60Hz
Ambient temperature	5~40°C
Relative humidity	≤85%
Sample volume	65~150μL
Sample type	Whole blood, Serum, Plasma, Urine
Workload	40 Samples/Hour(with TCO <sub>2</sub> ), 60 Samples/Hour(without TCO <sub>2</sub> )
Sample loader	25 Positions/40 Positions
Sample tube	Primary tube or cuvette

## Cornley

- >> The professional manufacturer since 1993
- >> Cost-effective
- >> ISO9001&13485 and CE approved
- >> One-stop solution manufacturer(produce all reagent, QC solution, electrodes and all the parts)

# K-Lite8 Electrolytes & TCO<sub>2</sub> Analyzer



**Accurate** ♦ **Stable** ♦ **Smart**



# Electrolyte & TCO<sub>2</sub> Analyzer

## Brief Introduction

The instrument is intended for measuring ion concentration of potassium, sodium, calcium, chloride, lithium, pH and TCO<sub>2</sub> in the serum, plasma, whole blood and urine. It adopts the latest technology with intuitive operation interface to accelerate test efficiency.

## Intuitive Operation System

- >> Real time display of testing status
- >> STAT capability is available for single or multiple sample tests
- >> Random access automatically for big sampler, manually for small sampler
- >> Alarm on residual volume of reagent



## Intelligent

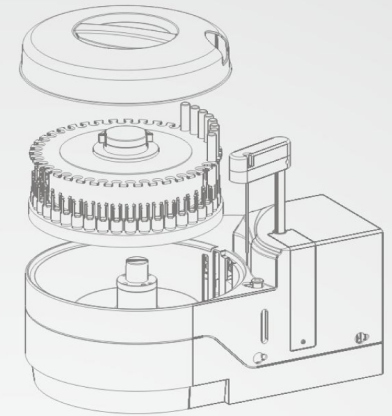
- >> All-in-one mode simplifies maintenance
- >> Self-diagnostic and self-adjustment functions on the main parts
- >> Gas&liquid alternate flush mode with exclusive cleaning formula to eliminate the blockage
- >> Liquid level detection and probe collision protection in auto-sampler
- >> Both primary tube and cuvette are available
- >> Built-in bar code scan
- >> Omni-scan(scanning in 360°) for big sampler
- >> Rapid test on ISE only 25 seconds

## Economic

- >> Patent electrodes with long lifespan, anti-jamming and anti-pollution
- >> High accuracy with long life TCO<sub>2</sub> sensor
- >> Sleep mode can be customized according to the workload
- >> Competitive cost per test

## Navigation Function

Online help provide more operation guides



## Advanced Information and Consumable Management System

- >> Storage capability is more than 20,000 test results, one month files of QC, and can be extended unlimitedly.
- >> Visible QC graph can be stored, transferred and printed
- >> Bar code scanning function is designed for patient information input, and consumables management such as reagent, electrodes and QC ...ect.



## Random Parameter Configuration (Auto sample is optional)

K-Lite8A:	K <sup>+</sup> , Na <sup>+</sup> , Cl <sup>-</sup> , TCO <sub>2</sub>
K-Lite8B:	K <sup>+</sup> , Na <sup>+</sup> , Cl <sup>-</sup> , Ca <sup>2+</sup> , pH, TCO <sub>2</sub>
K-Lite8D:	K <sup>+</sup> , Na <sup>+</sup> , Cl <sup>-</sup> , Ca <sup>2+</sup> , Li <sup>+</sup> , pH, TCO <sub>2</sub>
K-Lite8E:	K <sup>+</sup> , Na <sup>+</sup> , Cl <sup>-</sup>
K-Lite8F:	K <sup>+</sup> , Na <sup>+</sup> , Cl <sup>-</sup> , Li <sup>+</sup>
K-Lite8G:	K <sup>+</sup> , Na <sup>+</sup> , Cl <sup>-</sup> , Ca <sup>2+</sup> , pH
K-Lite8H:	K <sup>+</sup> , Na <sup>+</sup> , Cl <sup>-</sup> , Ca <sup>2+</sup> , Li <sup>+</sup> , pH

